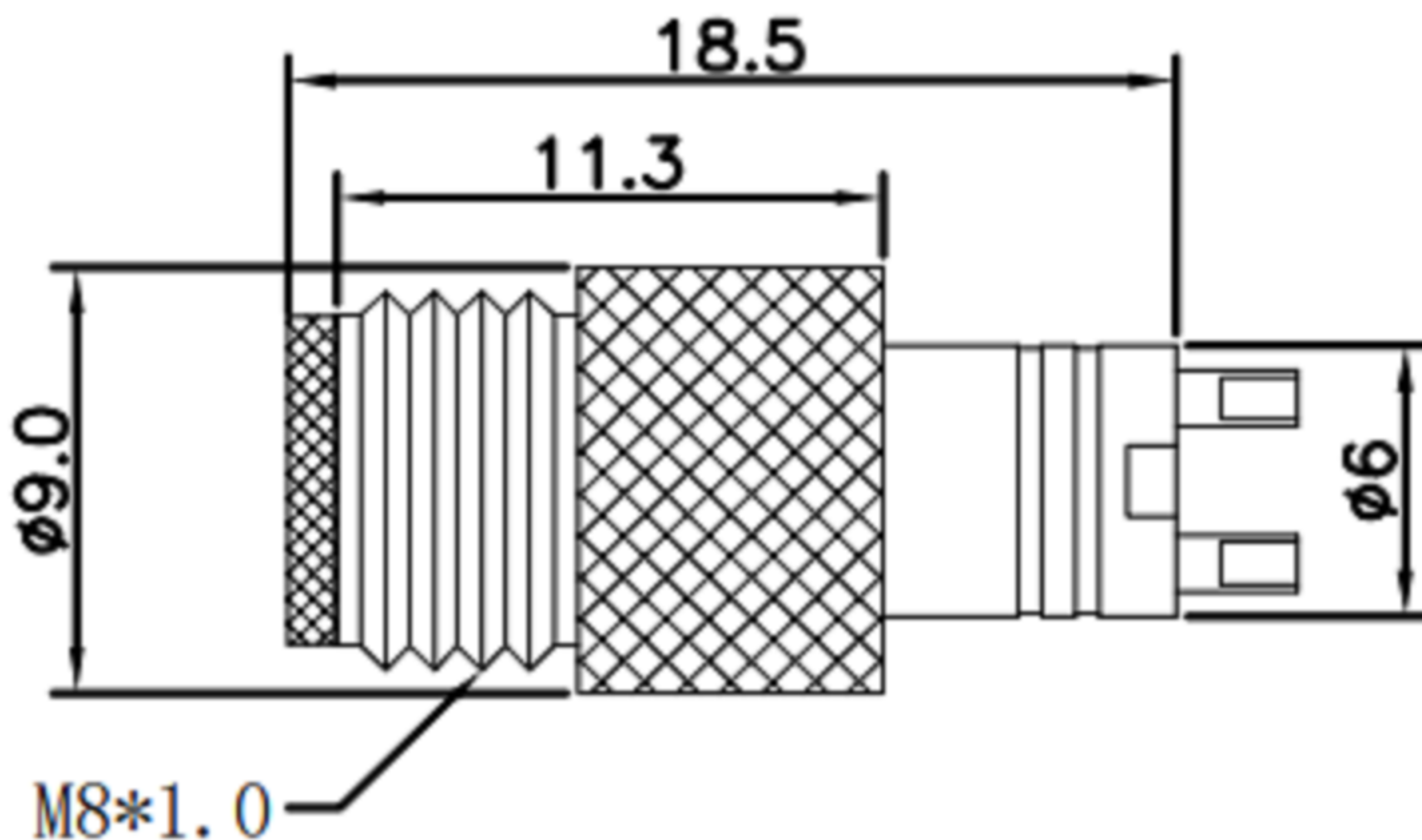
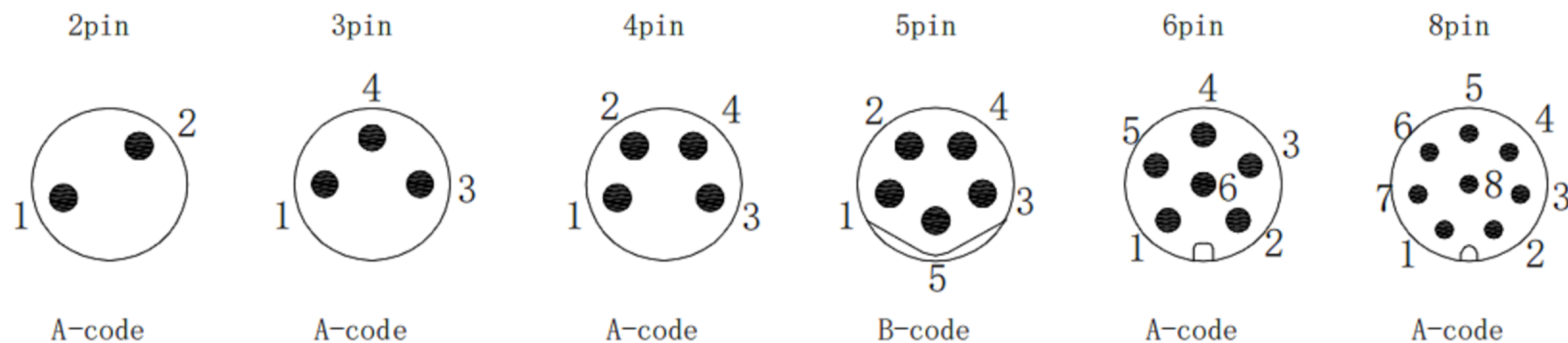


Scale drawing/尺寸图



Pin assignment front view/针位分布前视图



Specifications/技术参数

Pin numbers/芯数	02 Pin	03 Pin	04 Pin	05 Pin	06 Pin	08 Pin
Rated voltage/额定电压	60V	60V	60V	30V	60V	60V
Rated current/额定电流	4A	4A	4A	4A	2A	2A
Standards/regulations/标准	IEC 61076-2-104					
Termination/接线方式	Solder/焊线式					
Connector locking system/锁紧方式	Screw/锁紧					
Degree of protection/防护等级	IP67/IP68					
Wire gauge (mm ²)/线规 (mm ²)	0.14mm ² ~0.34mm ²			0.14mm ²		
Wire gauge (AWG)/线号 (AWG)	26AWG~22AWG			26AWG		
Mechanical operation/插拔次数	100 mating cycles Min					
Ambient temperature (operation)/工作温度	-25°C~+85°C					
Contact resistance/接触电阻	≤5mΩ					
Insulation resistance/绝缘电阻	≥1000MΩ					
Connector body material/胶芯材料	PA66					
Pin material/端子材料	Brass with gold plated					
Screw/螺丝材料	Brass with nickel plated					

東莞市高迪電子有限公司
DONG GUAN GAO DI ELECTRONICS CO., LTD

TOLERANCE UNLESS OTHERWISE STATED: Up to 5 ±0.2, Above 5 ~ 15 ±0.3, Above 15 ~ 30 ±0.4, Above 30 ~ 50 ±0.5, Angle ±0.3

3RD. ANGEL'S

UNITS MM

DRAWN BY: Jack Lu	DATE: 12/13/19	MATL	TITLE: CONNECTOR
CHECKED BY: Jacky Chen	DATE: 12/13/19	FINISH	MODLE
APPROVED BY: Tony Kao	DATE: 12/13/19	SCALE: 1:1	DWG NO.
		SHEET NO: 1 of 1	PART NO.
			SIZE: A4
			VER: R1

ITEM NO.	DESCRIPTION	DRAWN	DATE